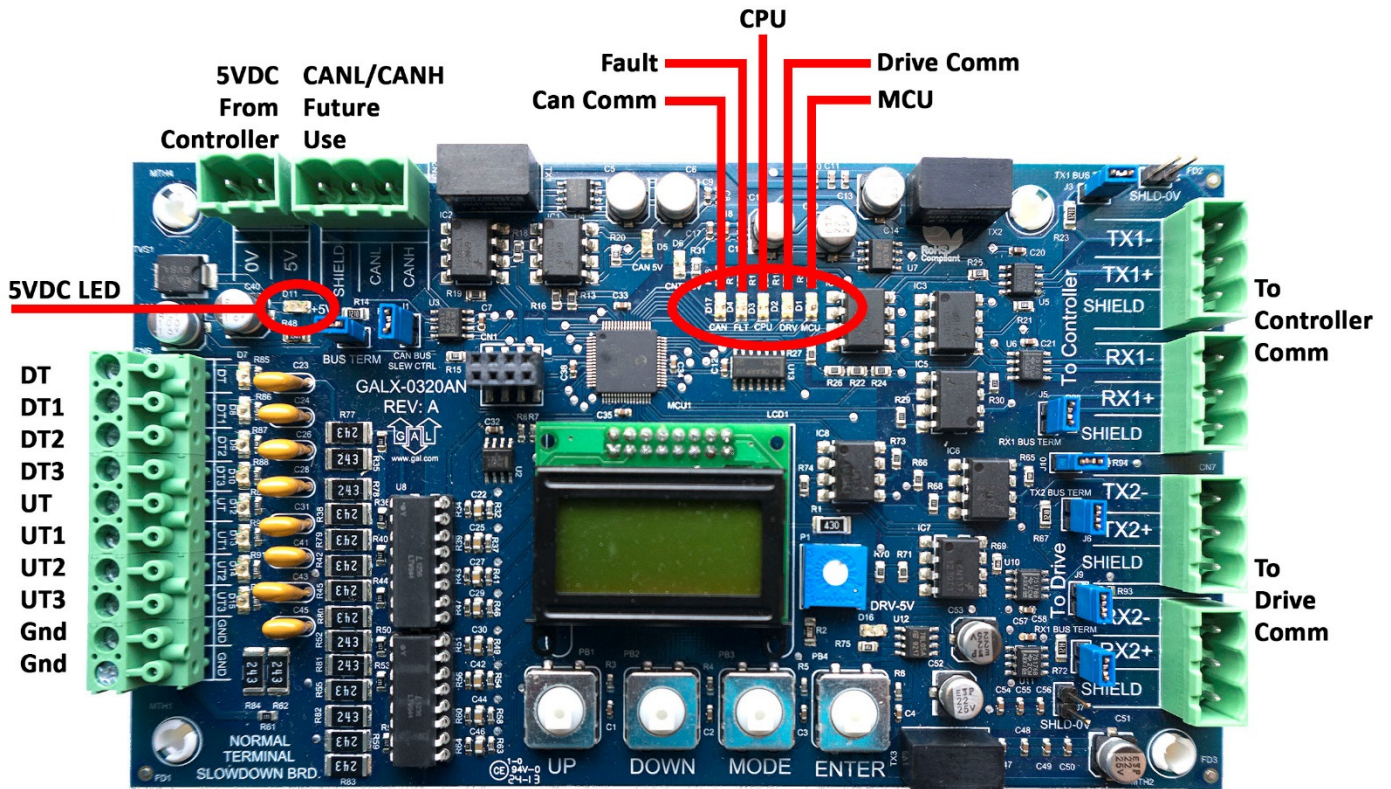


GALX-0320AN NTSD Board

This board is a retrofit for the GALaxy III Controller.

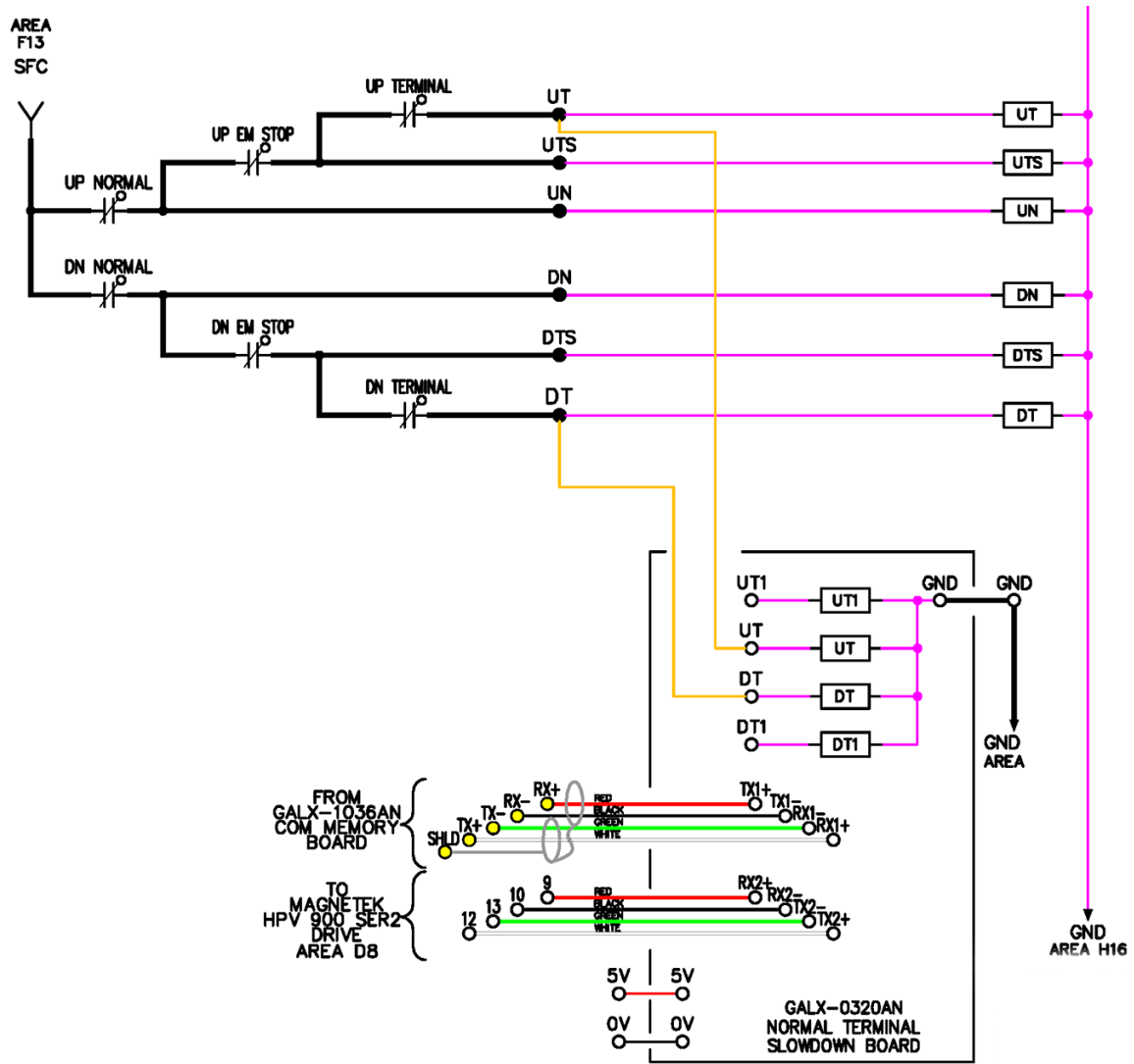
The board's function is to detect if the set limit velocities are exceeded, if so then the board commands the drive to slow down through the drive communications.

The image below shows the connections and LEDs for the board.

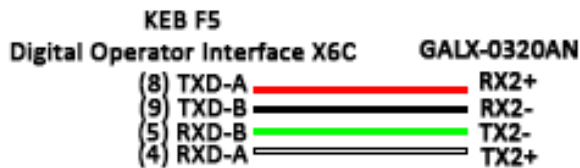
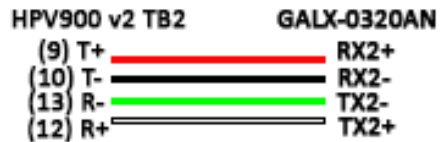


GALX-0320AN

In the schematic example below we only monitor DT/UT.



Connections from GALX-0320AN to various drives



When the board is first installed the GALX-0320AN board has to be inserted into the controller/drive communications. The communications wiring is as follows: Controller -> GALX-0320AN -> Drive.

Next the adjustable variables must be set in the GALX-0320AN.

Top Speed – Number of Pairs of Limits – Drive Type – Drive Baud Rate, must all be set.

The limit velocities in the adjustable variables must be determined using the “Lim Vel” menu. If running on construction mode set the limit velocities to car speed.

Make long runs to the top and bottom floors and write down the values in “Lim Vel” for each of your limits. This menu will display values for the UT limits when you reach the top landing and the DT limits when you reach the bottom landing.

Add 20 to the numbers obtained from the “Lim Vel” menu and enter these numbers in Adj Var->UT Vel....etc.

The table below can be used to determine how many limits you should have.

FPM	UT/ DT	UT1/ DT1	UT2/ DT2	UT3/ DT3	UT4/ DT4	UT5/ DT5	UT6/ DT6	UT7/ DT7
50	10"							
100	21"							
150	31"							
200	41"							
250	52"							
300	31"	62"						
350	40"	80"						
400	50"	99"						
450	60"	120"						
500	71"	143"						
600	65"	130"	195"					
700	85"	170"	255"					
800	80"	160"	240"	320"				
900	98"	196"	293"	391"				
1000	93"	187"	280"	374"	467"			
1100	110"	219"	329"	439"	548"			
1200	106"	211"	317"	422"	528"	633"		
1300	103"	206"	310"	413"	516"	619"	723"	
1400	102"	204"	306"	408"	510"	612"	714"	816"

GALX-0320AN Menu Structure		
Run Stat	Normal / Com	Run / Com status
Car Dmd	FPM	Current demand speed from controller
Drv Dmd	FPM	Current demand speed from drive
Car Com	CTX / CRX	Car Com status
Drv Com	DTX / DRX	Drive Com status
Can Com	NTX / NRX	Can Bus Comm status
Adj Var		
Top Spd	FPM	Top Speed of Car
Dec Rate	FPM	Decel Rate
Lev Vel	FPM	Leveling Velocity
Num Limit		Total number of limit pairs (UT/DT= 1 pair)
UT Vel	FPM	Velocity limit for UT
UT1 Vel	FPM	Velocity limit for UT1
UT2 Vel	FPM	Velocity limit for UT2
UT3 Vel	FPM	Velocity limit for UT3
DT Vel	FPM	Velocity limit for DT
DT1 Vel	FPM	Velocity limit for DT1
DT2 Vel	FPM	Velocity limit for DT2
DT3 Vel	FPM	Velocity limit for DT3
Mtr RPM	RPM	Nameplate RPM
Drv Typ	0 - 3	0=HPV 1=DSD412 2=KEB 3=KEBlc (LCD Keypad)
Drv Baud	0 - 3	0=19.2 (HPV, DSD412) 1=38.4 (KEB) 2=57.6 3=115.2
Can Baud	0 - 1	0=115.2, 1=57.6
Inp/Out		
UT	1=made, 0=open	
UT1	1=made, 0=open	
UT2	1=made, 0=open	
UT3	1=made, 0=open	
DT	1=made, 0=open	
DT1	1=made, 0=open	
DT2	1=made, 0=open	
DT3	1=made, 0=open	

Lim Vel	
UT	Speed when limit is opened
UT1	Speed when limit is opened
UT2	Speed when limit is opened
UT3	Speed when limit is opened
DT	Speed when limit is opened
DT1	Speed when limit is opened
DT2	Speed when limit is opened
DT3	Speed when limit is opened
Faults	
UT Spd	UT speed clamp fault. Elevator speed exceeded limit when UT switch opened. Check UT speed clamp parameter.
UT1 SPD	UT1 speed clamp fault. Elevator speed exceeded limit when UT1 switch opened. Check UT1 speed clamp parameter.
UT2 Spd	UT2 speed clamp fault. Elevator speed exceeded limit when UT2 switch opened. Check UT2 speed clamp parameter.
UT3 Spd	UT3 speed clamp fault. Elevator speed exceeded limit when UT3 switch opened. Check UT3 speed clamp parameter.
DT Spd	DT speed clamp fault. Elevator speed exceeded limit when DT switch opened. Check DT speed clamp parameter.
DT1 Spd	DT1 speed clamp fault. Elevator speed exceeded limit when DT1 switch opened. Check DT1 speed clamp parameter.
DT2 Spd	DT2 speed clamp fault. Elevator speed exceeded limit when DT2 switch opened. Check DT2 speed clamp parameter.
DT3 Spd	DT3 speed clamp fault. Elevator speed exceeded limit when DT3 switch opened. Check DT3 speed clamp parameter.
Clr Faults	Clears all current faults
Reset	Resets board
GALaxy Version	Firmware version