



G.A.L. Manufacturing Corporation

50 East 153rd Street,
Bronx, N.Y. 10451

Phone 718-292-9000
Toll Free 877-425-3538
877-425-7763

Fax 718-292-2034
Web www.gal.com
E-mail info@gal.com

SAFETY EDGE

MODEL	ITEM	PART DWG. No.
	QUESTIONNAIRE	Q-SE-5
TYPE RA	RETRACTABLE SAFETY EDGE (OBSOLETE- REPLACED BY SE-5)	SE-1
TYPE RA	SAFETY EDGE SWITCH	SE-2
	FIXED RUBBER SAFETY EDGE	SE-3
TYPE HA	SAFETY EDGE	SE-4
TYPE RA	RETRACTABLE SAFETY EDGE (REPLACEMENT FOR SE-1)	SE-5
TYPE RA	FIXED ALUMINUM SAFETY EDGE	SE-6
TYPE RALX	EXPLOSION PROOF SAFETY EDGE	SE-7



G.A.L. MANUFACTURING CORP.
50 EAST 153RD STREET BRONX, NEW YORK 10451-2196
(718) 292-9000 FAX (718) 292-2034
E-MAIL US AT: INFO@GAL.COM WEB: WWW.GAL.COM

ESTABLISHED 1927

Contractor _____ Date _____

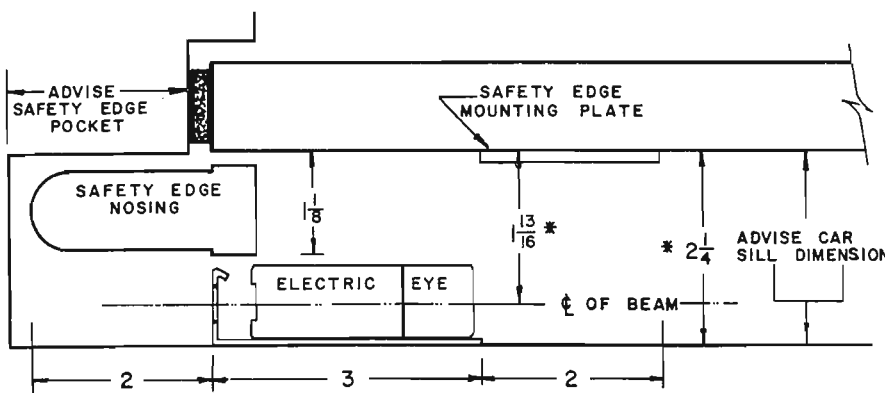
G.A.L. # _____

IMPORTANT INFORMATION FOR ORDERING

G.A.L. SAFETY EDGES

- (1) Do you require a _____ Retractable _____ Fixed Safety Edge?
- (2) Is this a replacement for a G.A.L. Safety Edge? _____ Yes _____ No
- (3) Advise the following:-
 - a) Job Name and Address _____

 - b) Original Elevator Contractor's Name _____
 - c) Year Job was Installed _____
 - d) Original G.A.L. Job # _____
- (4) Type of Doors: _____ Single Speed, _____ Two Speed, _____ Three Speed,
_____ Center Parting, _____ Two Speed/Center Parting
- (5) a) If doors are Two Speed, are doors related by Cable _____ Yes _____ No,
or Sill Mounted Linkage _____ Yes _____ No.
b) If Doors are Three Speed or Two Speed/Center-Parting, we recommed you
phone G.A.L. for clarification of your requirements.
- (6) Advise the following:-
 - a) Clear Door Opening Width _____
 - b) Height of Doors _____
 - c) Width of each Door _____
 - d) Hand of Opening (Looking at Cab from corridor side)
Door(s) close to the: _____ Right; _____ Left?

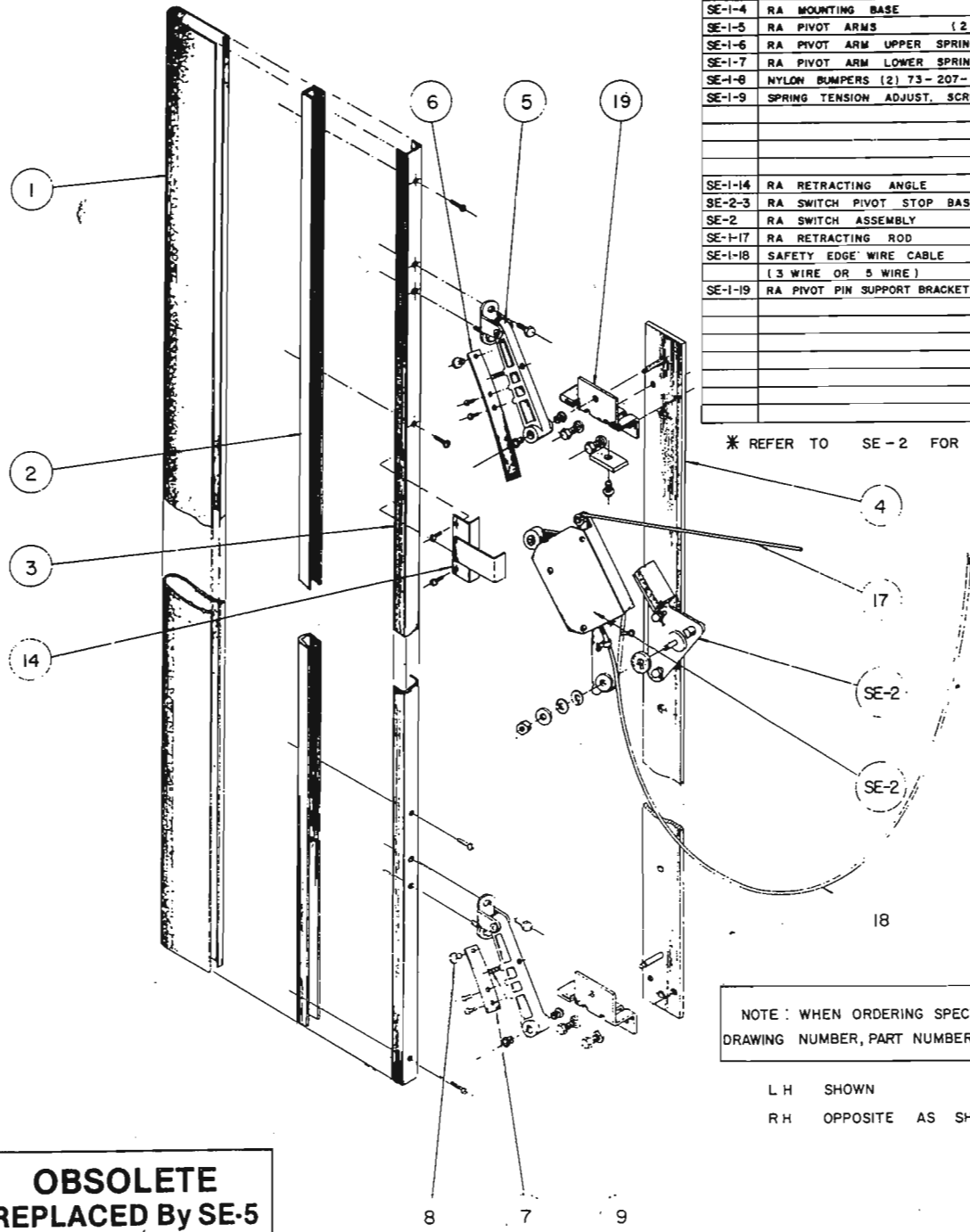


* CAN BE REDUCED BY 1/8".
G.A.L. STANDARD CLEARANCE
DIMENSIONS SHOWN FOR
SAFETY EDGE AND ELECTRIC
EYES.

Q-SE-S
9-1-83,

RA-RETRACTABLE ALUM SAFETY EDGE
(PART LIST)

PART-NO	DESCRIPTION
SE-1-1	RA NOSING (ALUMINUM)
SE-1-2	RA INNER CHANNEL
SE-1-3	RA OUTER CHANNEL
SE-1-4	RA MOUNTING BASE
SE-1-5	RA PIVOT ARMS (2)
SE-1-6	RA PIVOT ARM UPPER SPRING
SE-1-7	RA PIVOT ARM LOWER SPRING
SE-1-8	NYLON BUMPERS (2) 73-207-12024
SE-1-9	SPRING TENSION ADJUST. SCREWS (2)
SE-1-14	RA RETRACTING ANGLE
SE-2-3	RA SWITCH PIVOT STOP BASE *
SE-2	RA SWITCH ASSEMBLY *
SE-1-17	RA RETRACTING ROD
SE-1-18	SAFETY EDGE WIRE CABLE (3 WIRE OR 5 WIRE)
SE-1-19	RA PIVOT PIN SUPPORT BRACKET ASSY



* REFER TO SE-2 FOR PARTS.

NOTE: WHEN ORDERING SPECIFY THIS DRAWING NUMBER, PART NUMBER, AND HAND.

L H SHOWN
R H OPPOSITE AS SHOWN

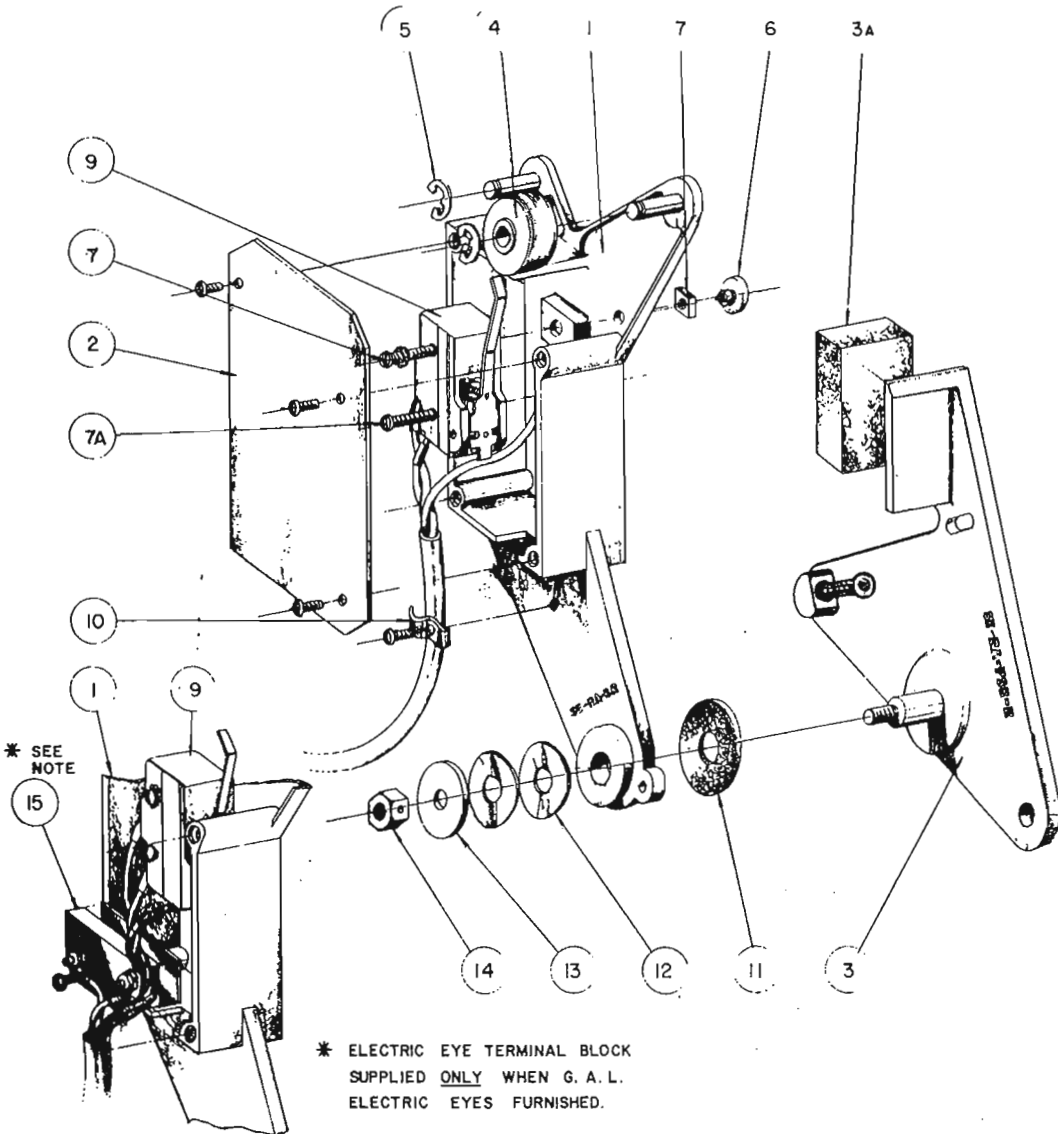
**OBSOLETE
REPLACED BY SE-5**

GAL B. A. L. MANUFACTURING CORP.
150 EAST 153RD STREET BROOKLYN, N.Y. 10441

RA-RETRACTABLE ALUM SAFETY EDGE (PART LIST)

SCALE	DATE	JAN 31 1974
1	MIN SALES	7-78
REV	REVISION	DATE
1	1	1

SE - 1



* ELECTRIC EYE TERMINAL BLOCK SUPPLIED ONLY WHEN G. A. L. ELECTRIC EYES FURNISHED.

RA SAFETY EDGE SWITCH ASSY
(PART LIST)

PART NO	DESCRIPTION
SE-2-1	SWITCH HOUSING
SE-2-2	COVER AND SCREWS
SE-2-3	PIVOT STOP BASE
SE-2-3A	RUBBER SPONGE STOP
SE-2-4	SAFETY EDGE RETRACTING ROLLER
SE-2-5	ROTO-CLIP 5144-25
SE-2-6	NYLON BUMPER 73-207-12024
SE-2-7	MICRO SWITCH ADJUSTMENT NUT & SCREW
SE-2-7A	MICRO SWITCH MOUNTING SCREW
SE-2-9	MICRO SWITCH BZ-2RW-80198T
SE-2-10	SAFETY EDGE CABLE CLAMP & SCREW
SE-2-11	CORK FRICTION WASHER
SE-2-12	SPRING WASHERS (2) REQUIRED
SE-2-13	COPPER FRICTION WASHER
SE-2-14	FRICTION ADJUSTMENT NUT
SE-2-15	ELECTRIC EYE TERMINAL BLOCK WITH INSULATOR & SCREW

R H SHOWN
L H OPPOSITE AS SHOWN

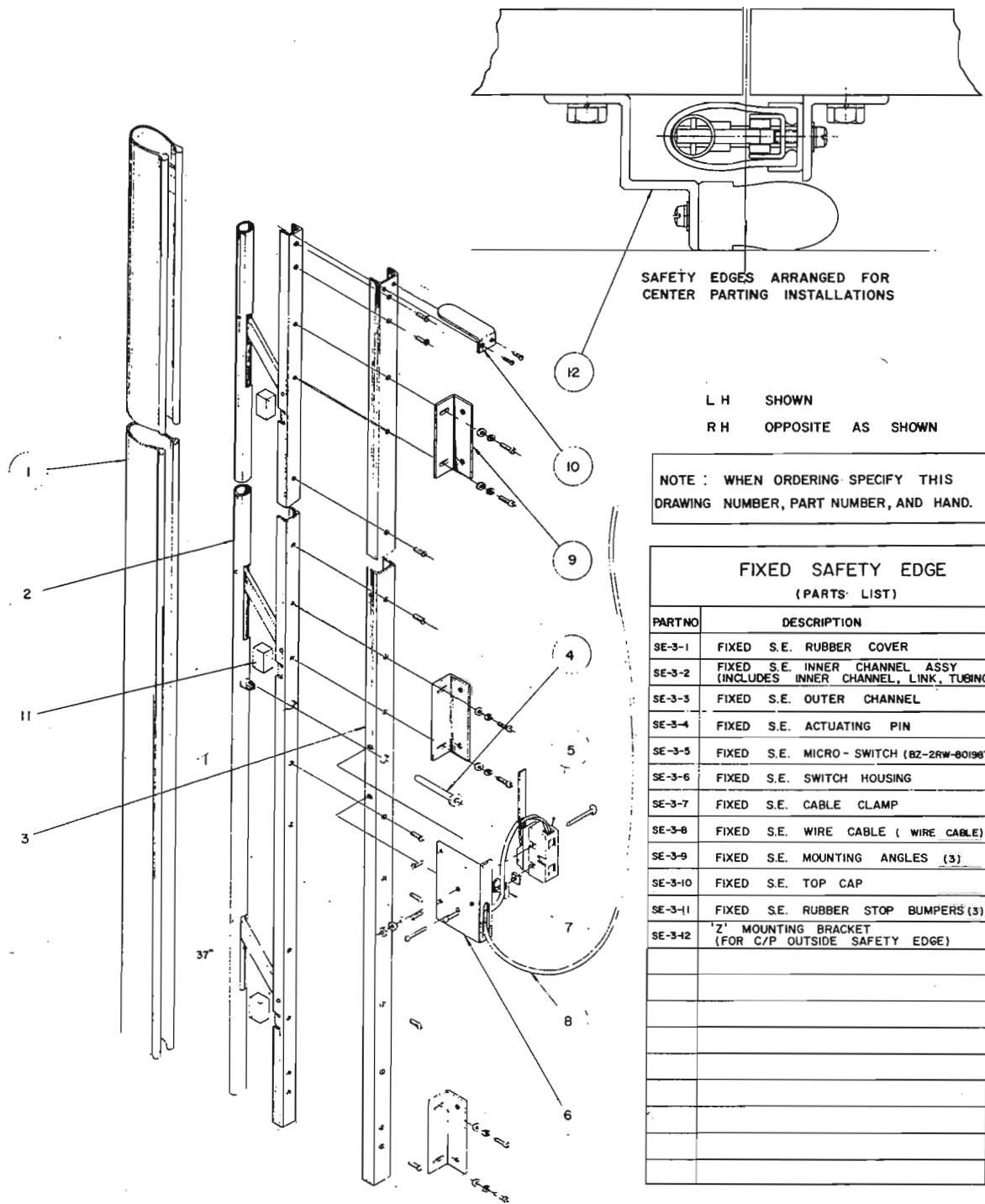
NOTE: WHEN ORDERING SPECIFY THIS DRAWING NUMBER, PART NUMBER, AND HAND



RA SAFETY EDGE SWITCH ASSEMBLY (PART LIST)

2	ADDED SPRING	7-85	SCALE	FULL	DATE	JAN 14 1974
1	MIN SALES	7-78	DRG BY	S C H		
NO	REVISION	DATE	CHK	BY		

SE-2



SAFETY EDGES ARRANGED FOR
CENTER PARTING INSTALLATIONS

L H SHOWN
R H OPPOSITE AS SHOWN

NOTE: WHEN ORDERING SPECIFY THIS
DRAWING NUMBER, PART NUMBER, AND HAND.

FIXED SAFETY EDGE
(PARTS LIST)

PARTNO	DESCRIPTION
SE-3-1	FIXED S.E. RUBBER COVER
SE-3-2	FIXED S.E. INNER CHANNEL ASSY (INCLUDES INNER CHANNEL, LINK, TUBING)
SE-3-3	FIXED S.E. OUTER CHANNEL
SE-3-4	FIXED S.E. ACTUATING PIN
SE-3-5	FIXED S.E. MICRO-SWITCH (BZ-2RW-00196T)
SE-3-6	FIXED S.E. SWITCH HOUSING
SE-3-7	FIXED S.E. CABLE CLAMP
SE-3-8	FIXED S.E. WIRE CABLE (WIRE CABLE)
SE-3-9	FIXED S.E. MOUNTING ANGLES (3)
SE-3-10	FIXED S.E. TOP CAP
SE-3-11	FIXED S.E. RUBBER STOP BUMPERS (3)
SE-3-12	'Z' MOUNTING BRACKET (FOR C/P OUTSIDE SAFETY EDGE)

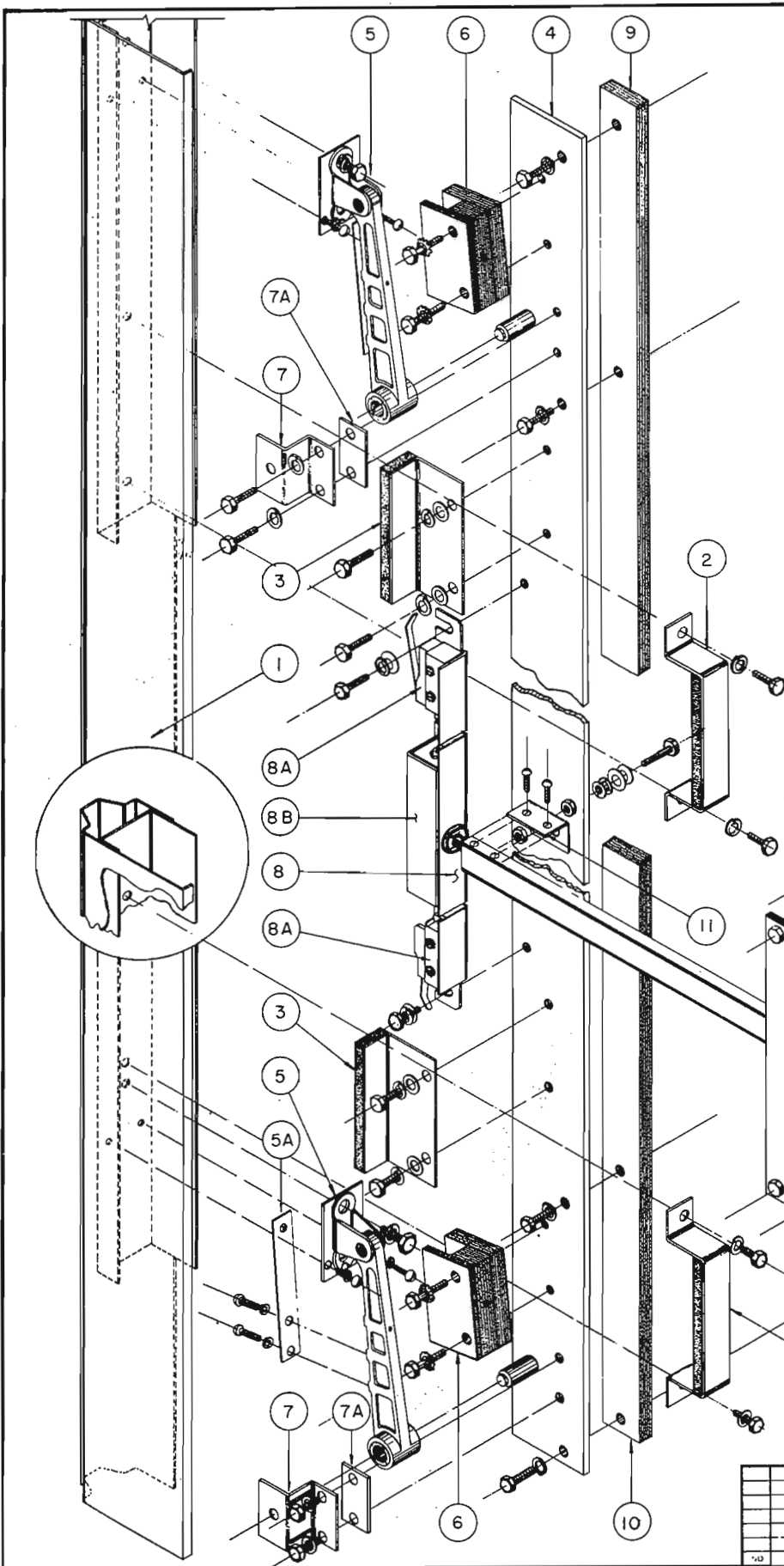
OBSOLETE
EXCEPT RUBBER COVER
& SWITCH

G.A.L. D. A. L. MANUFACTURING CORP.
ELEVATOR WORKS
50 EAST 152ND STREET
MONROE, N. Y. 10611

FIXED SAFETY EDGE
(PARTS LIST)

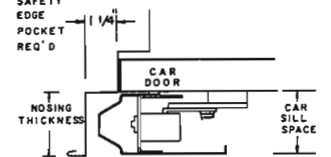
SCALE	DATE FEB. 7, 1974
DWG. BY S. C. H.	
CHX. BY G. F. D.	
MIN. SALES 7-78	
NO. REVISION DATE	

SE-3



TYPE "HA" SAFETY EDGE STAINLESS STEEL	
PART N ^o	DESCRIPTION
SE-4-1	"HA" ST. STL. NOSING ASSY (SPECIFY 2 1/4" or 1 3/4" THICK, HAND & HEIGHT)
SE-4-2	"HA" S.E. STOP BRACKET W/BUMPER
SE-4-3	"HA" S.E. STOP ANGLE W/BUMPER
SE-4-4	"HA" MOUNTING BASE (HANDED)
SE-4-5	"HA" PIVOT ARM & LEAF SPRING ASSY
SE-4-5A	"HA" PIVOT ARM SPRING
SE-4-6	"HA" PIVOT ARM BAKELITE GUARD ASSY (SPECIFY FOR 2 1/4" or 1 3/4" THICK NOSING)
SE-4-7	"HA" S.E. PIVOT PIN SUPPORT BRACKET
SE-4-7A	"HA" SUPPORT BRACKET SPACER (ON 2 1/4" THICK NOSING ONLY)
SE-4-8	"HA" SWITCH ASSEMBLY W/CABLE
SE-4-8A	MICRO SWITCHES N ^o BZ-2RW855-A2-S
SE-4-8B	"HA" JUNCTION BOX COVER & SCREWS
SE-4-9	"HA" 3/8" x 1 5/8" x 2 5/2" LG. MOUNTING PLATE BAKELITE SPACER (TOP)
SE-4-10	"HA" 3/8" x 1 5/8" x 2 3 3/4" LG. MOUNTING PLATE BAKELITE SPACER (BOTTOM)
SE-4-11	"HA" S.E. CABLE SHIELD SWIVEL BRACKET & SCREWS.
SE-4-12	"HA" S.E. ALUM. CABLE SHIELD (HANDED)
SE-4-13	"HA" S.E. CABLE SHIELD GUIDE ASSY.
SE-4-14	"HA" S.E. 3 WIRE CABLE

NOTES : STANDARD O.A. HEIGHTS AVAILABLE
77", 79" & 83"



CAR SILL SPACE	S.E. NOSING THKS.
2 1/4"	USE 2 1/4"
1 3/4" TO 2"	USE 1 3/4"

ALL FERROUS MATERIAL ARE
CADMIUM PLATED
MICRO-SWITCHES ARE "SPASH
PROOF TYPE."

WHEN ORDERING SPECIFY PART N^o,
HAND, HEIGHT & SILL SPACE.

LH SHOWN
RH OPPOSITE

GAL E. A. L. MANUFACTURING CORP.
50 EAST 151st STREET MONK, N. Y. 10451

TYPE "HA" SAFETY EDGE
STAINLESS STEEL

SCALE	DATE 9-8-83
OWG BY WSP/ree	SE-4
CHK BY EO	

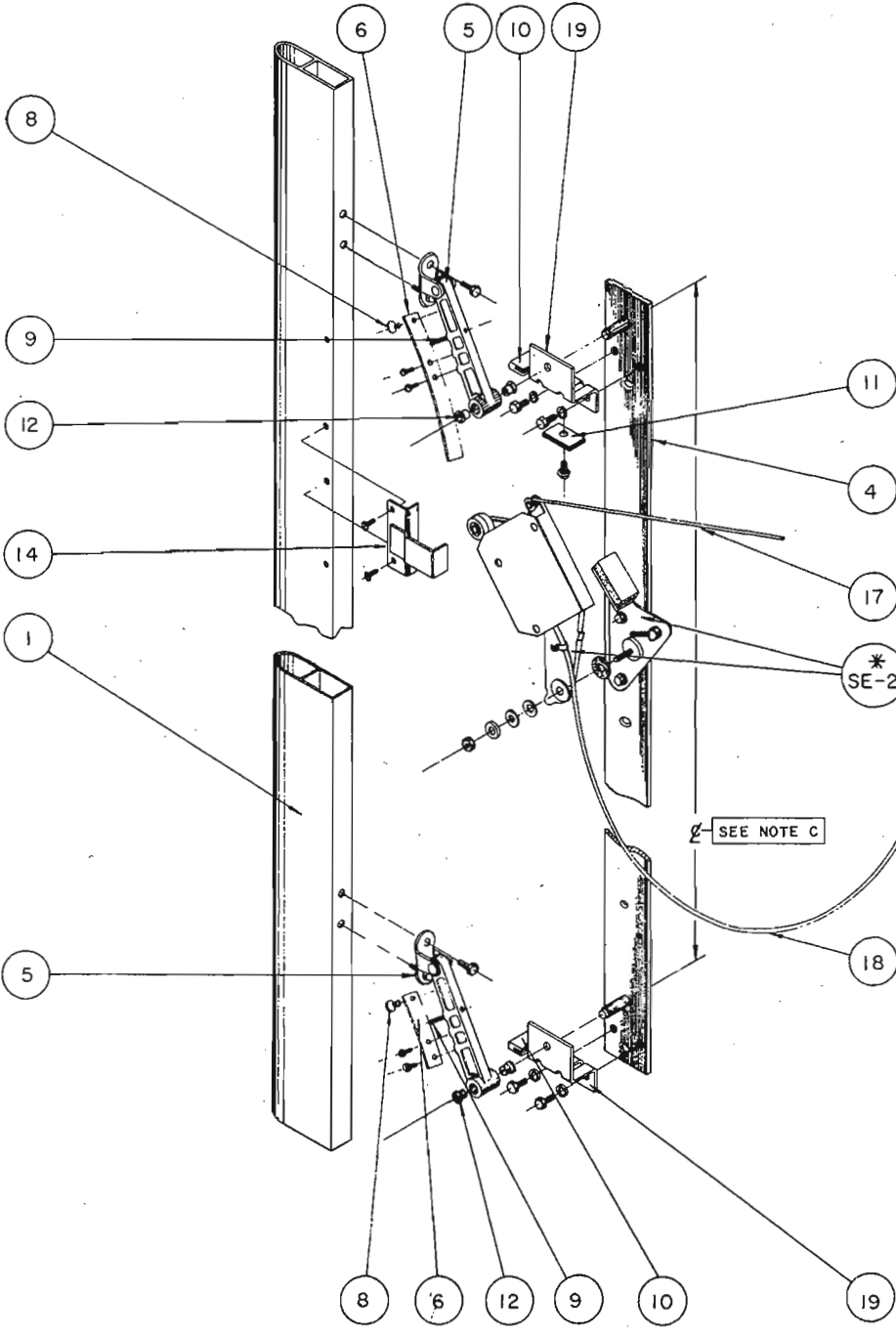
"RA" RETRACTABLE ALUM SAFETY EDGE
(PART LIST)

PART N°	DESCRIPTION
SE-5-1	"RA" S.E. ALUM. NOSING BODY (ADVISE HT.)
SE-2	"RA" SWITCH ASSEMBLY (REF TO DWG. SE-2)
SE-5-4	"RA" S.E. MOUNTING BASE & PIVOT ARM ASS'Y. (INCLUDES PARTS N° 4 to 12 & 19) (HANDED) (SEE NOTE "C")
SE-5-5	"RA" S.E. PIVOT ARM & LEAF SPRING ASS'Y. (INCLUDES PARTS N° 5 to 9 & 12 (SPECIFY UPPER OR LOWER SPRING))
SE-5-6	"RA" S.E. UPPER PIVOT ARM LEAF SPRING
SE-5-7	"RA" S.E. LOWER PIVOT ARM LEAF SPRING
SE-5-8	"RA" NYLON BUMPER (N° 73-207-12024)
SE-5-9	"RA" SPRING TENSION ADJUSTING SCREW
SE-5-10	"RA" PIVOT BRACKET RUBBER BUMPER
SE-5-11	"RA" SPRING TENSION BAKELITE BLOCK W/SCREW
SE-5-12	7L-7F NYLINER BUSHING
SE-5-14	"RA" S.E. RETRACTING ANGLE
SE-5-17	"RAL" S.E. RETRACTING ROD
SE-5-18	"RA" S.E. 3 WIRE CABLE (ST'D) or 5 WIRE CABLE (USED W/GAL ELEC. EYE)
SE-5-19	"RA" S.E. PIVOT PIN SUPPORT BRACKET W/SCREWS

NOTES:

- (A) WHEN ORDERING PARTS SPECIFY PART N°, HAND & HEIGHT, IF APPLICABLE.
- (B) WHEN ORDERING A COMPLETE SAFETY EDGE SEE QUESTIONNAIRE (Q-SE-5) "IMPORTANT INFORMATION FOR ORDERING G.A.L. SAFETY EDGE", FOUND IN THE BEGINNING OF THIS SECTION. ALSO SEE NOTE (C)
- (C) WHEN ORDERING REPLACEMENT FOR AN EXISTING "G.A.L." MOUNTING BASE ASS'Y. OR COMPLETE SAFETY EDGE, ADVISE CENTER LINE ℓ DIMENSION OF PIVOT ARMS.

PIVOT ARM ℓ	MTG. BASE TYPE
40" ℓ	FIG. N°1
55 1/2" ℓ	FIG. N°2
59 1/8" TO 63 1/8" ℓ	FIG. N°3-SPLIT BASE



ℓ - SEE NOTE C

LH SHOWN
RH OPPOSITE

SUPERSEDES DRAWING SE-1
(9-27-82)

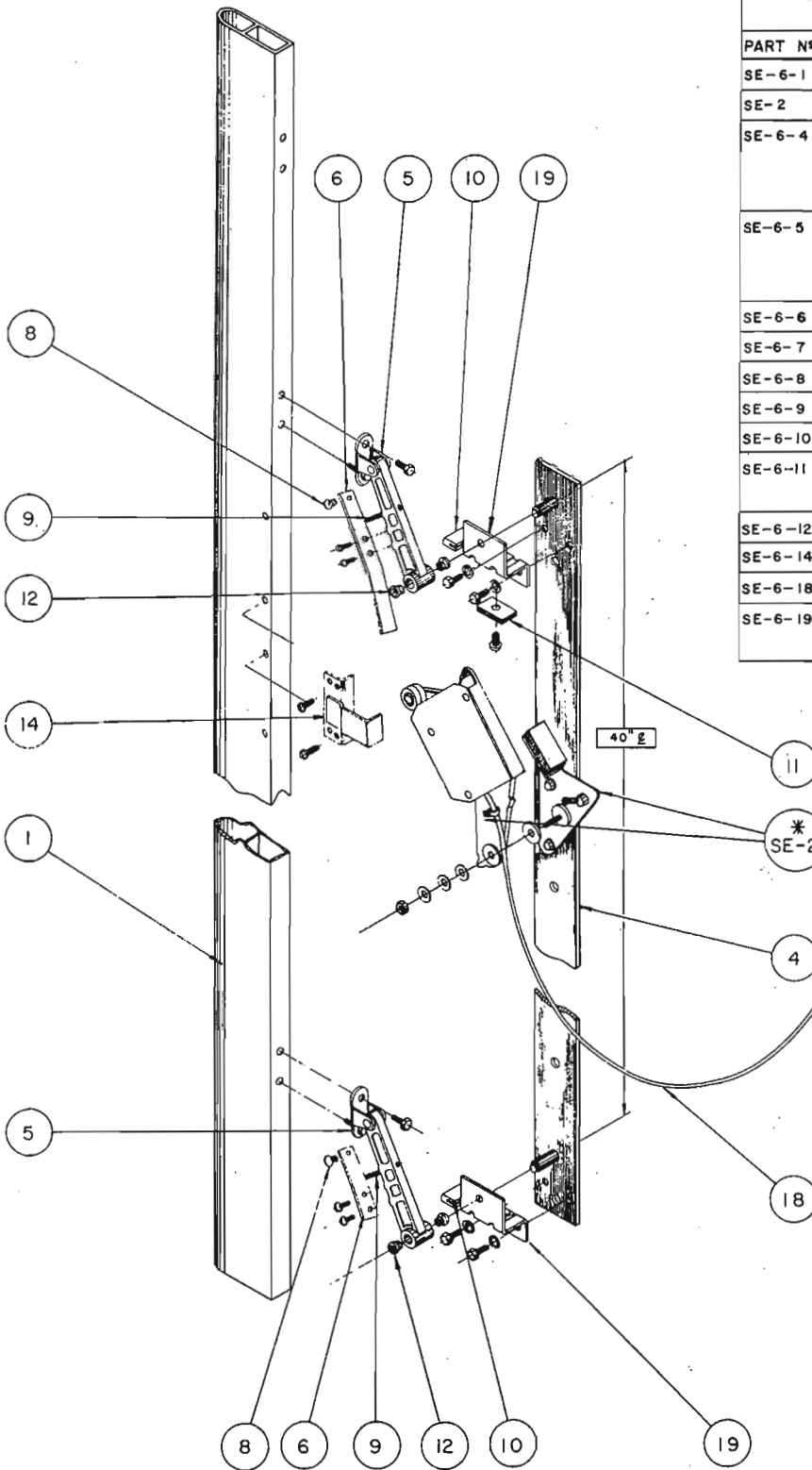


"RA" RETRACTABLE ALUM SAFETY EDGE

NO.	REVISION	DATE	CHK. BY	SCALE	DATE
				DATE	9-15-83
				DWG. BY	WSP/ees
				SE-5	

"RA" FIXED ALUM. SAFETY EDGE

PART N ^o	DESCRIPTION
SE-6-1	"RA" S.E. ALUM. NOSING BODY(ADVISE HT.)
SE-2	"RA" SWITCH ASSEMBLY(REF. TO DWG SE-2)
SE-6-4	"RA" FIXED S.E. MOUNTING BASE & PIVOT ARM ASS'Y. FIG. 1 (INCLUDES PARTS N ^o 4 TO 12 & 19)(SPECIFY R.H. or L.H.)
SE-6-5	"RA" S.E. PIVOT ARM & LEAF SPRING ASS'Y. (INCLUDES PARTS N ^o 5 TO 9 & 12)(SPECIFY UPPER OR LOWER SPRING)
SE-6-6	"RA" S.E. UPPER PIVOT ARM LEAF SPRING
SE-6-7	"RA" S.E. LOWER PIVOT ARM LEAF SPRING
SE-6-8	"RA" NYLON BUMPER (N ^o 73-207-12024)
SE-6-9	"RA" SPRING TENSION ADJUSTING SCREW
SE-6-10	"RA" PIVOT BRACKET RUBBER BUMPER
SE-6-11	"RA" SPRING TENSION BAKELITE BLOCK W/SCREW
SE-6-12	7L-7F NYLINER BUSHING
SE-6-14	"RA" FIXED S.E. RETRACTING ANGLE
SE-6-18	"RA" S.E. 3 WIRE CABLE
SE-6-19	"RA" S.E. PIVOT PIN SUPPORT BRACKET W/SCREWS



NOTE:

WHEN ORDERING SPECIFY
PART N^o, HAND & HEIGHT

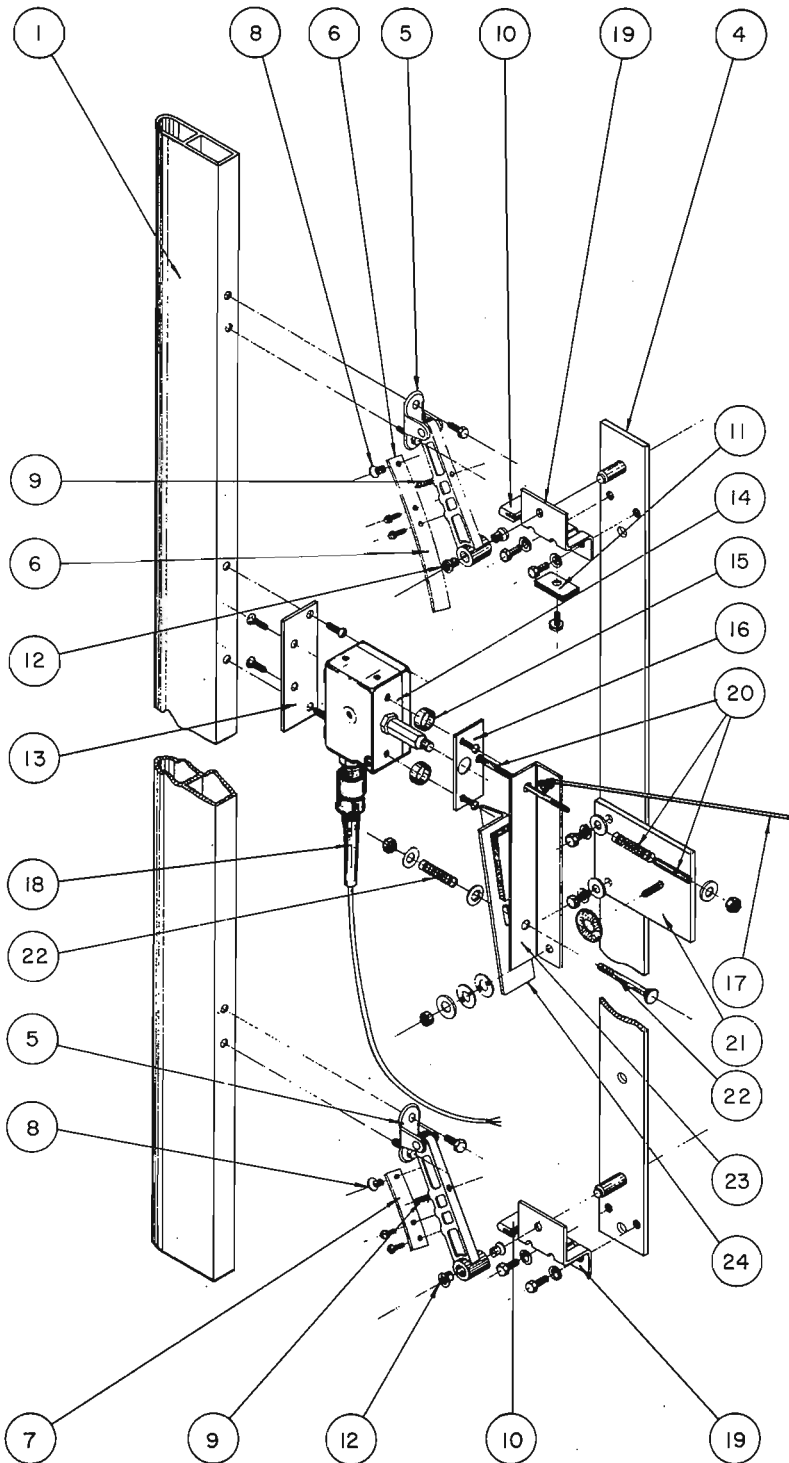
LH. SHOWN
RH. OPPOSITE



"RA" FIXED ALUMINUM SAFETY EDGE

SCALE	DATE 9-27-83
DWG. BY WFP/raz	
NO.	REVISION
DATE	CHK.
CHK. BY	SE-6

"RALX" EXPLOSION PROOF ALUM. SAFETY EDGE



PART N ^o	DESCRIPTION
SE-7-1	"RA" S.E. ALUM. NOSING BODY (ADVISE HEIGHT)
SE-7-4	"RA" S.E. MOUNTING BASE & PIVOT ARM ASS'Y (INCLUDES PARTS 4 TO 12 & 19) (SPECIFY LH or RH)
SE-7-5	"RA" S.E. PIVOT ARM & LEAF SPRING ASS'Y. (INCLUDES PARTS N ^o 5 TO 9 & 12) (SPECIFY UPPER OR LOWER SPRING)
SE-7-6	"RA" S.E. UPPER PIVOT ARM LEAF SPRING
SE-7-7	"RA" S.E. LOWER PIVOT ARM LEAF SPRING
SE-7-8	"RA" NYLON BUMPER (N ^o 73-207-12024)
SE-7-9	"RA" SPRING TENSION ADJUSTING SCREW
SE-7-10	"RA" PIVOT BRACKET RUBBER BUMPER
SE-7-11	"RA" SPRING TENSION BAKELITE BLOCK W/SCREW
SE-7-12	7L-7F NYLINER BUSHING
SE-7-13L	"RALX" SE SWITCH MOUNTING PLATE LH: 1 3/4" x 5" x 1/8"
SE-7-13R	"RALX" S.E. SWITCH MOUNTING PLATE RH: 1 1/4" x 6" x 1/8"
SE-7-14	"RALX" EX-Q EXPLOSION PROOF SWITCH INCLUDES PART N ^o 18
SE-7-15	"RALX" S.E. PICK-UP PLATE SPACERS
SE-7-16	"RALX" S.E. PICK-UP PLATE
SE-7-17	"RAL" S.E. RETRACTING ROD
SE-7-18	"RALX" 3 WIRE CABLE W/1/2" SEALING CONNECTOR
SE-7-19	"RA" SE PIVOT PIN SUPPORT BRACKET W/SCREWS
SE-7-20	PICK-UP BOLT, SPRING & SLEEVE ASS'Y.
SE-7-21	"RALX" S.E. PIVOT ARM & STOP MOUNTING PLATE
SE-7-22	PIVOT ARM TENSION SPRING & PIN ASS'Y.
SE-7-23	"RALX" S.E. RETRACTING PIVOT ARM (SPECIFY LH or RH)
SE-7-24	"RALX" S.E. STOP ANGLE & BUMPER (SPECIFY LH or RH)

NOTE:

WHEN ORDERING SPECIFY PART N^o, HAND & HEIGHT.

LH SHOWN
RH OPPOSITE



"RALX" EXPLOSION PROOF ALUM. SAFETY EDGE

SCALE		DATE 9-26-83	
DWG. BY WSP/roz			
NO.	REVISION	DATE	CHK. BY
			EO
			SE-7