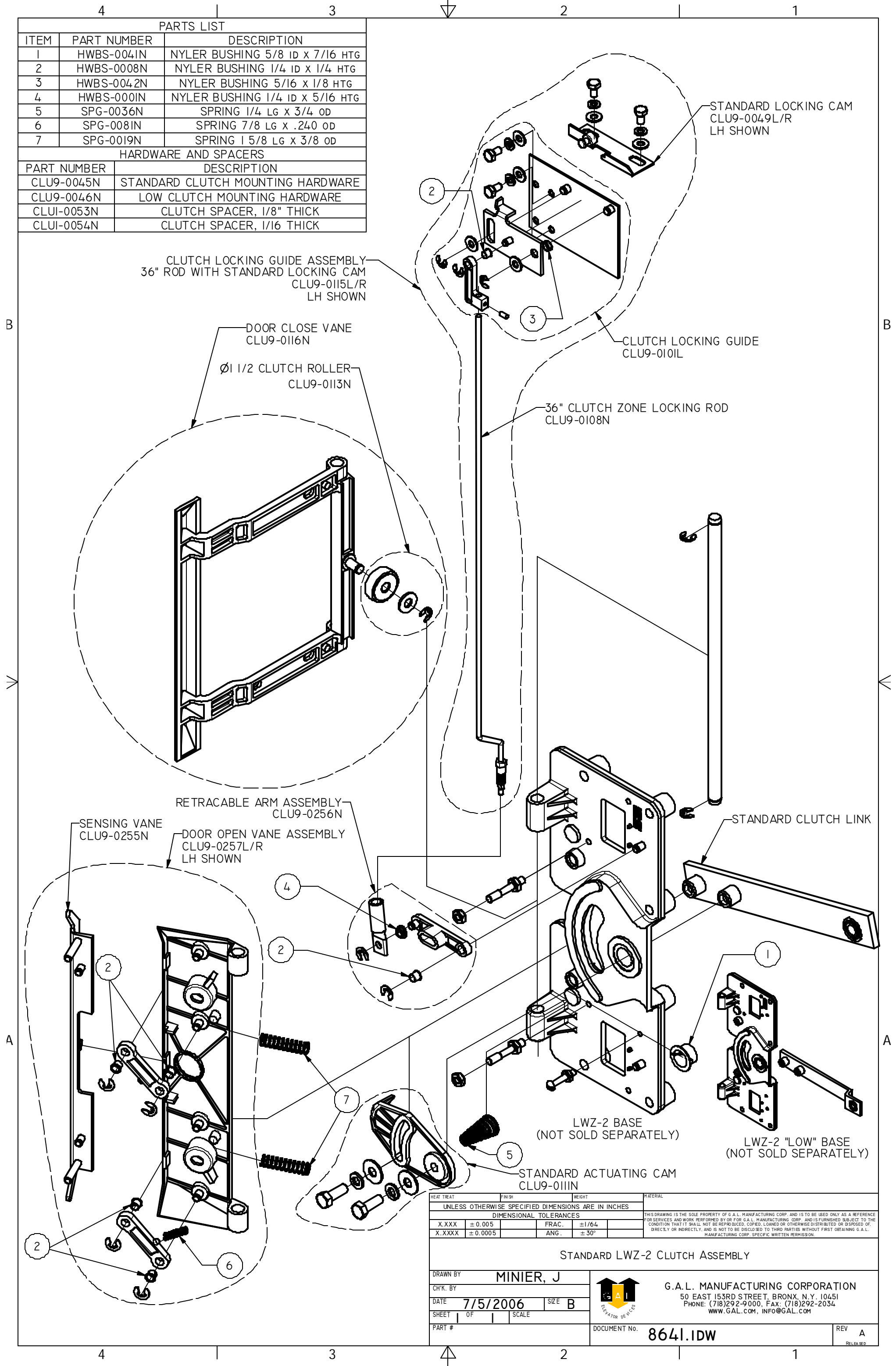


PARTS LIST		
ITEM	PART NUMBER	DESCRIPTION
1	HWBS-004IN	NYLER BUSHING 5/8 ID x 7/16 HTG
2	HWBS-0008N	NYLER BUSHING 1/4 ID x 1/4 HTG
3	HWBS-0042N	NYLER BUSHING 5/16 x 1/8 HTG
4	HWBS-000IN	NYLER BUSHING 1/4 ID x 5/16 HTG
5	SPG-0036N	SPRING 1/4 LG x 3/4 OD
6	SPG-008IN	SPRING 7/8 LG x .240 OD
7	SPG-0019N	SPRING 1 5/8 LG x 3/8 OD
HARDWARE AND SPACERS		
PART NUMBER	DESCRIPTION	
CLU9-0045N	STANDARD CLUTCH MOUNTING HARDWARE	
CLU9-0046N	LOW CLUTCH MOUNTING HARDWARE	
CLUI-0053N	CLUTCH SPACER, 1/8" THICK	
CLUI-0054N	CLUTCH SPACER, 1/16 THICK	



HEAT TREAT	FINISH	WEIGHT	MATERIAL
UNLESS OTHERWISE SPECIFIED DIMENSIONS ARE IN INCHES			
DIMENSIONAL TOLERANCES			
X.XXX	±0.005	FRAC.	±1/64
X.XXXX	±0.0005	ANG.	±30°

THIS DRAWING IS THE SOLE PROPERTY OF G.A.L. MANUFACTURING CORP. AND IS TO BE USED ONLY AS A REFERENCE FOR SERVICES AND WORK PERFORMED BY OR FOR G.A.L. MANUFACTURING CORP. AND IS FURNISHED SUBJECT TO THE CONDITION THAT IT SHALL NOT BE REPRODUCED, COPIED, LOANED OR OTHERWISE DISTRIBUTED OR DISPOSED OF, DIRECTLY OR INDIRECTLY, AND IS NOT TO BE DISCLOSED TO THIRD PARTIES WITHOUT FIRST OBTAINING G.A.L. MANUFACTURING CORP. SPECIFIC WRITTEN PERMISSION.

<b>STANDARD LWZ-2 CLUTCH ASSEMBLY</b>			
DRAWN BY		MINIER, J	
CHK. BY			
DATE		7/5/2006	
SHEET		OF	
SCALE		B	
PART #		DOCUMENT No.	
		864I.IDW	
		REV	
		A	

**G.A.L. MANUFACTURING CORPORATION**  
 50 EAST 153RD STREET, BRONX, N.Y. 10451  
 PHONE: (718)292-9000, FAX: (718)292-2034  
 WWW.GAL.COM, INFO@GAL.COM

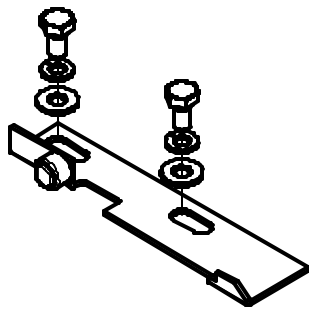


4

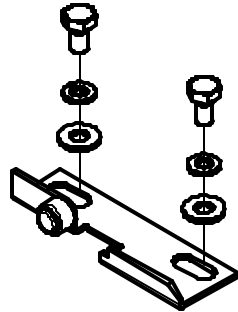
3

2

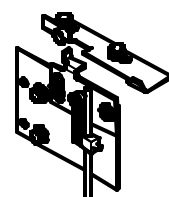
1



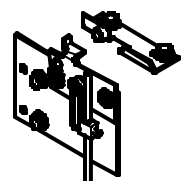
CALIFORNIA LOCKING CAM  
LH SHOWN



STANDARD LOCKING CAM  
LH SHOWN

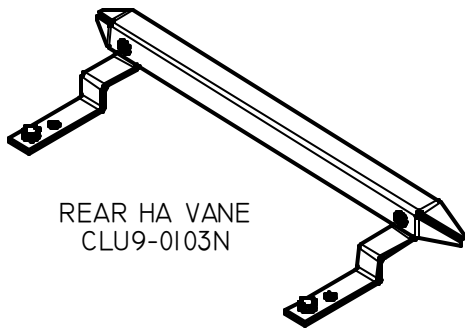


CLU9-0114L/R

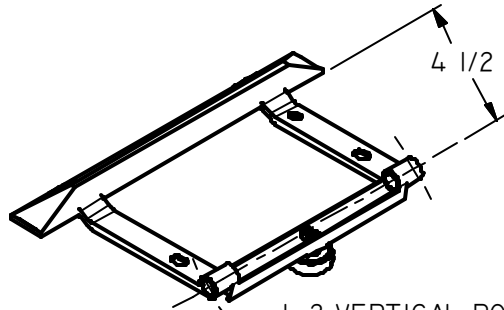


CLU9-0115L/R

LOCKING CAM ASSEMBLIES	
PART NUMBER	DESCRIPTION
CLU9-0047L/R	CALIFORNIA LOCKING CAM
CLU9-049L/R	STANDARD LOCKING CAM

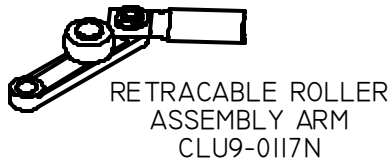


REAR HA VANE  
CLU9-0103N



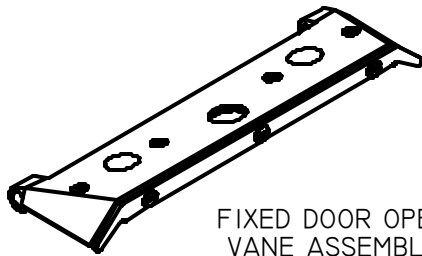
L-2 VERTICAL ROLLER  
VANE ASSEMBLY  
CLU15-002IN

4 1/2



RETRACABLE ROLLER  
ASSEMBLY ARM  
CLU9-0117N

PRIOR TO AUGUST 2006

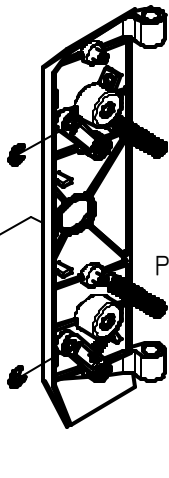


FIXED DOOR OPEN  
VANE ASSEMBLY  
CLU11-008IN  
FOR NON ZONE LOCK CLUTCHES ONLY

CLUTCH ZONE LOCKING GUIDE ASSEMBLIES		
PART NUMBER	ROD SIZE	LOCKING CAM TYPE
CLU9-0114L/R	3/6"	CALIFORNIA
CLU9-0115L/R	3/6"	STANDARD

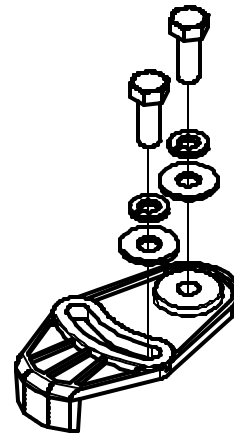
SENSING BAR  
CLU9-0104N

PRIOR TO AUGUST 2006

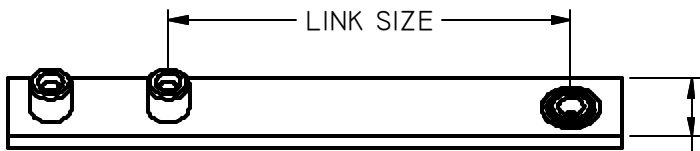


DOOR OPEN  
VANE ASSEMBLY  
CLU9-0109L

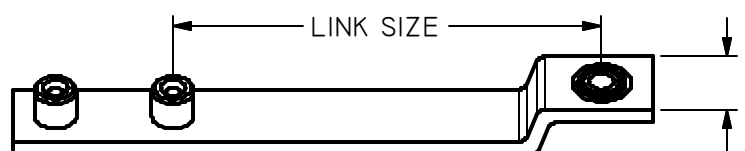
PRIOR TO AUGUST 2006



LRC CLUTCH ACTUATING CAM  
CLU9-0238L/R  
LH SHOWN




STANDARD CLUTCH LINK



"LOW" CLUTCH LINK

CLUTCH LINKS			
"STD" PART NUMBER	"LOW" PART NUMBER	LINK SIZE	C WIDTH
CLU9-0083N	CLU9-0063N	5 1/4	1 1/4
CLU9-0084N	CLU9-0064N	6	1 1/4
CLU9-0085N	CLU9-0065N	7	1 1/4
CLU9-0086N	CLU9-0066N	8	1 1/4
CLU9-0087N	CLU9-0067N	9	1 1/4
CLU9-0088N	CLU9-0068N	10	1 1/2
CLU9-0089N	CLU9-0069N	11	1 1/2
CLU9-0090N	CLU9-0070N	12	1 1/2
CLU9-0091N	CLU9-0071N	14	1 1/2
CLU9-0092N	CLU9-0072N	16	1 1/2

HEAT TREAT	FINISH	WEIGHT	MATERIAL
UNLESS OTHERWISE SPECIFIED DIMENSIONS ARE IN INCHES			
DIMENSIONAL TOLERANCES			
X.XXX	±0.005	FRAC.	±1/64
X.XXXX	±0.0005	ANG.	±30°
THIS DRAWING IS THE SOLE PROPERTY OF G.A.L. MANUFACTURING CORP. AND IS TO BE USED ONLY AS A REFERENCE FOR SERVICES AND WORK PERFORMED BY OR FOR G.A.L. MANUFACTURING CORP. AND IS FURNISHED SUBJECT TO THE CONDITION THAT IT SHALL NOT BE REPRODUCED, COPIED, LOANED OR OTHERWISE DISTRIBUTED OR DISPOSED OF, DIRECTLY OR INDIRECTLY, AND IS NOT TO BE DISCLOSED TO THIRD PARTIES WITHOUT FIRST OBTAINING G.A.L. MANUFACTURING CORP. SPECIFIC WRITTEN PERMISSION.			
<b>LWZ-2 SERIES CLUTCH ACCESSORY ALTERNATIVES</b>			
DRAWN BY <b>MINIER, J</b>		 <b>G.A.L. MANUFACTURING CORPORATION</b> 50 EAST 153RD STREET, BRONX, N.Y. 10451 PHONE: (718)292-9000, FAX: (718)292-2034 WWW.GAL.COM, INFO@GAL.COM	
CHK. BY			
DATE <b>7/5/2006</b>	SIZE <b>B</b>		
SHEET OF	SCALE		
PART #	DOCUMENT No.	<b>8641-1.IDW</b>	REV <b>A</b>

4

3

2

1