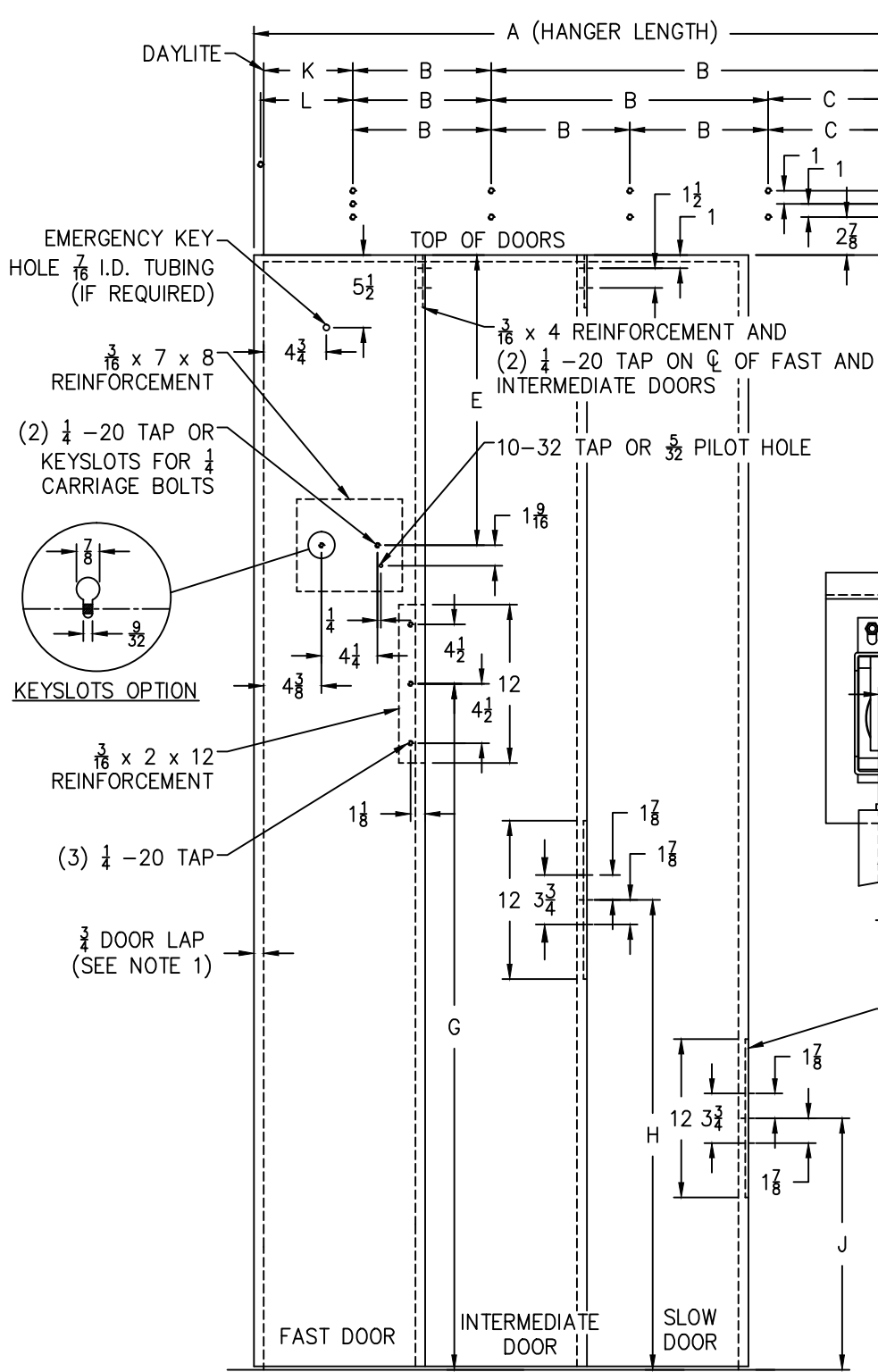
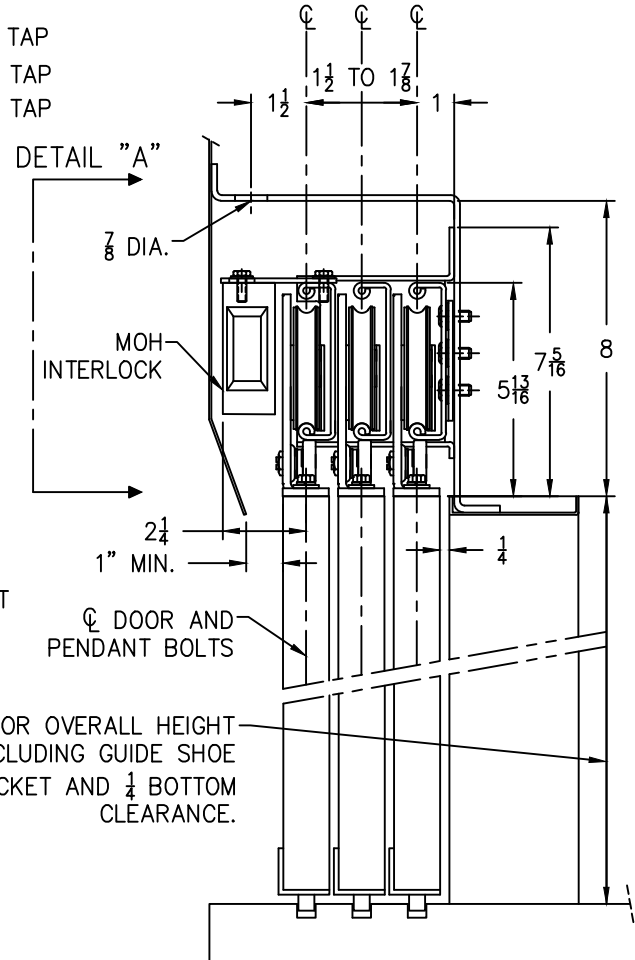


DOOR OPENING	T
35-69	2 1/4
34	2 1/8
33	1 3/4
32	1 3/8
31	1 1/8
30	3/4



DOOR OPENING	E
65-69	30
55-64	26
30-54	22



DOOR OPENING	X
41-69	3/4
30-40	1 1/4

3/16 x 12 REINFORCEMENT AND (6) 5/16 -18 TAP ON CL EDGE OF INTERMEDIATE AND SLOW DOOR

NOTES:

- INTERLOCK ROLLER RELEASE, PENDANT BOLT AND HEADER HANGER SUPPORT DRILLINGS LOCATED FROM DAYLITE, REGARDLESS OF DOOR LAP SIZE. G.A.L. PREFERRED 3/4 LAP AT THE LEADING EDGE ONLY.
- DRAWINGS ARE BASED ON EQUAL CAR AND HOISTWAY DOOR HEIGHTS ±1 INCH. IF DOOR HEIGHTS DIFFER, NOTIFY G.A.L. AND HOISTWAY DOOR MANUFACTURER.

DIMENSION TABLE										
DOOR OPENING	A	K	L	B	C	F	D	J	H	G
69	94	6 3/4	7	24 (FIG.3)	12	2	16 1/2	25 1/16	47 3/8	71 1/2
68	93	5 3/4	6	24 (FIG.3)	12	2	16 1/2	25 1/16	47 1/8	71 1/2
67	92	4 3/4	5	24 (FIG.3)	12	2	16 1/2	25 1/4	48	71 1/2
66	91	3 3/4	4	24 (FIG.3)	12	2	16 1/2	25 3/8	48 1/4	71 1/2
65	90	2 3/4	3	24 (FIG.3)	12	2	16 1/2	25 7/16	48 7/8	71 1/2
64	87	6 3/4	7	24 (FIG.2)	24	7	14 1/2	25 9/16	48 3/8	72 3/4
63	86	6 3/4	7	24 (FIG.2)	24	6	14 1/2	25 5/8	48 1/8	72 3/4
62	85	6 3/4	7	24 (FIG.2)	24	5	14 1/2	25 3/4	49	72 3/4
61	84	6 3/4	7	24 (FIG.2)	24	4	14 1/2	25 13/16	49 3/8	72 3/4
60	83	6 3/4	7	24 (FIG.2)	24	3	14 1/2	25 1/2	49 3/8	72 3/4
59	82	6 3/4	7	24 (FIG.2)	24	2	14 1/2	23 3/4	45	67 1/4
58	79	3 3/4	4	24 (FIG.2)	24	2	12 1/2	23 3/8	45 3/8	67 1/4
57	78	2 3/4	3	24 (FIG.2)	24	2	12 1/2	23 15/16	45 3/8	67 1/4
56	77	1 3/4	2	24 (FIG.2)	24	2	12 1/2	24 1/16	45 9/16	67 1/4
55	76	6 3/4	7	24 (FIG.2)	12	8	12 1/2	24 1/8	45 3/4	67 1/4
54	75	6 3/4	7	24 (FIG.2)	12	7	12 1/2	24 3/16	45 13/16	68 1/2
53	74	6 3/4	7	24 (FIG.2)	12	6	12 1/2	24 5/16	46 3/8	68 1/2
52	71	6 3/4	7	24 (FIG.2)	12	3	10 1/2	24 3/8	46 1/4	68 1/2
51	70	6 3/4	7	24 (FIG.2)	12	2	10 1/2	24 7/16	46 7/8	68 1/2
50	69	5 3/4	6	24 (FIG.2)	12	2	10 1/2	24 9/16	46 9/8	68 1/2

DIMENSION TABLE										
DOOR OPENING	A	K	L	B	C	F	D	J	H	G
49	68	4 3/4	5	24 (FIG.2)	12	2	10 1/2	20 3/16	37 13/16	56 1/4
48	67	3 3/4	4	24 (FIG.2)	12	2	10 1/2	20 1/4	38 1/16	56 1/4
47	66	6 3/4	7	22 (FIG.2)	12	2	10 1/2	20 3/8	38 1/4	56 1/4
46	63	6 3/4	7	24 (FIG.1)	-	7	8 1/2	20 7/16	38 3/8	56 1/4
45	62	6 3/4	7	24 (FIG.1)	-	6	8 1/2	20 9/16	38 9/16	56 1/4
44	61	6 3/4	7	24 (FIG.1)	-	5	8 1/2	20 5/8	38 3/4	57 1/2
43	60	6 3/4	7	24 (FIG.1)	-	4	8 1/2	20 11/16	38 15/16	57 1/2
42	59	6 3/4	7	24 (FIG.1)	-	3	8 1/2	20 13/16	39 1/16	57 1/2
41	58	6 3/4	7	24 (FIG.1)	-	2	8 1/2	20 3/8	39 1/4	57 1/2
40	55	3 3/4	4	24 (FIG.1)	-	2	6 1/2	20 15/16	39 3/8	57 1/2
39	54	6 3/4	7	22 (FIG.1)	-	2	6 1/2	18 13/16	35 3/8	52
38	53	5 3/4	6	22 (FIG.1)	-	2	6 1/2	18 15/16	35 5/8	52
37	52	6 3/4	7	18 (FIG.1)	-	8	6 1/2	19	35 1/2	52
36	51	6 3/4	7	18 (FIG.1)	-	7	6 1/2	19 1/16	35 5/8	52
35	50	6 3/4	7	18 (FIG.1)	-	6	6 1/2	19 1/8	35 13/16	52
34	49	6 3/4	7	18 (FIG.1)	-	5	6 1/2	19 1/4	35 15/16	53
33	48	6 3/4	7	18 (FIG.1)	-	4	6 1/2	19 5/16	36 1/8	53
32	47	6 3/4	7	18 (FIG.1)	-	3	6 1/2	19 7/16	36 5/16	53
31	46	6 3/4	7	18 (FIG.1)	-	2	6 1/2	19 1/2	36 1/2	53
30	45	5 3/4	6	18 (FIG.1)	-	2	6 1/2	19 9/16	36 5/8	53

AS SHOWN L.H. _____
 SYMMETRICALLY OPPOSITE R.H. _____
 DOOR HEIGHT _____
 JAMB HEIGHT _____

- WARNING -
 G.A.L. PROPRIETARY INFORMATION
 REPRODUCTION AND/OR USE OF ALL OR ANY PART OF THIS (THESE) PAGE(S) OR DRAWING(S) OR THE INFORMATION HEREIN, WITHOUT THE EXPRESS PERMISSION OF G.A.L. MANUFACTURING CORPORATION IS STRICTLY PROHIBITED BY LAW.
 - VIOLATORS WILL BE PROSECUTED -

REV	DESCRIPTION	DATE
A	DRAWING & LAYOUT UPDATE	04-02-14

HATCH REINFORCEMENT AND DRILLINGS THREE SPEED TYPE "A" HANGER WITH SHOE TYPE SPRING DOOR CLOSER 30-69 DOOR OPENING

G.A.L. MANUFACTURING CORP. 50 E. 153rd STREET, BRONX, N.Y. 10451 PHONE: (718) 292-9000, FAX: (718) 292-2034 www.GAL.com, info@GAL.com	DATE 11-11-1994 DOCUMENT No. 8244	REV A
---	--------------------------------------	-------