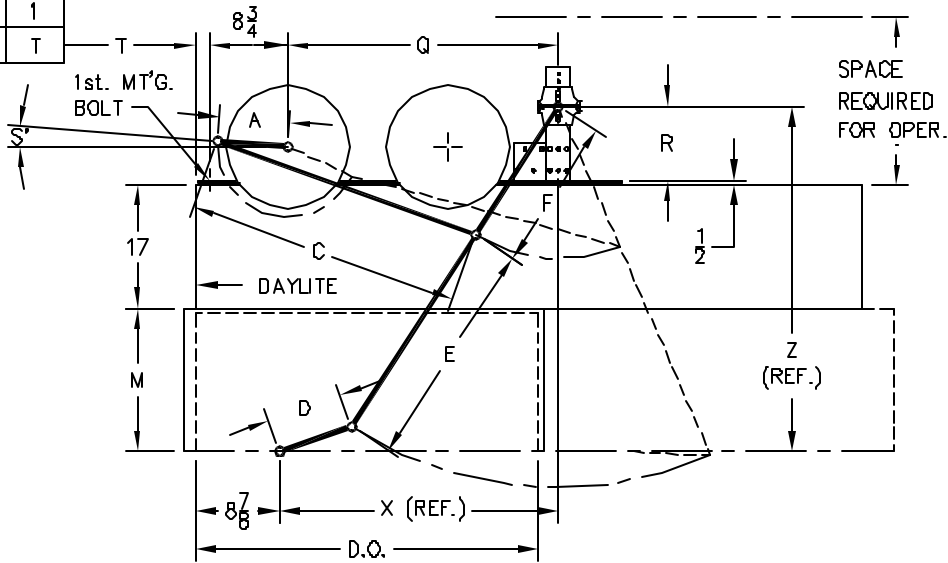


45-48	6
30-44	1
DOOR OPNG.	T



MODCT	15
MOVFR	15
MOD	15
MOM-MOH	19
MOMCT	19
MOHCT	19

48	9 1/2	34 3/8	12	34	21	23	39 5/8	51 1/4	33 1/2	10 3/4	5'
47	9 1/4	34 1/4	12	34	21	23	39 5/8	51 1/4	33 1/2	10 3/4	5'
46	9 1/8	34	12	34	21	23	39 5/8	51 1/4	33 1/2	10 3/4	5'
45	8 13/16	33 7/8	12	34	21	23	39 5/8	51 1/4	33 1/2	10 3/4	5'
44	9 1/8	34 7/8	10	29	20	19	34 5/8	45 1/2	33 1/2	9	5'
43	9	34 5/8	10	29	20	19	34 5/8	45 1/2	33 1/2	9	5'
42	8 7/8	34 1/2	10	29	20	19	34 5/8	45 1/2	33 1/2	9	5'
41	8 5/8	34 3/8	10	29	20	19	34 5/8	45 1/2	33 1/2	9	5'
40	8 1/2	34 1/4	10	29	20	19	34 5/8	45 1/2	33 1/2	9	5'
39	7 1/4	29 1/4	B	28	16	15	29 1/4	41	28 3/8	8 1/2	5'
38	7 1/8	29 1/8	B	28	16	15	29 1/4	41	28 3/8	8 1/2	5'
37	7	29	B	28	16	15	29 1/4	41	28 3/8	8 1/2	5'
36	6 3/4	28 3/4	B	28	16	15	29 1/4	41	28 3/8	8 1/2	5'
35	6 5/8	28 5/8	B	28	16	15	29 1/4	41	28 3/8	8 1/2	5'
34	6	25 1/8	B	29	15	15	25 1/4	41 1/2	24 3/8	9	5'
33	5 3/4	24 7/8	B	29	15	15	25 1/4	41 1/2	24 3/8	9	5'
32	5 5/8	24 3/4	B	29	15	15	25 1/4	41 1/2	24 3/8	9	5'
31	5 1/2	24	B	29	15	15	24 3/8	42	23 1/2	9 1/2	5'
30	5 1/4	23 3/4	B	29	15	15	24 3/8	42	23 1/2	9 1/2	5'
INCHES	A	C	D	E	F	M	X	Z	Q	R	S
DOOR OPENING	OPERATOR ARMS		DOOR ARMS			CLUTCH	PIVOT		OPERATOR		



SINGLE SPEED & TWO SPEED OPERATOR DATA TABLE
30-48 D.O. FOR HIGH CABS 17" HEADER

FEB. 23 1987

S6898-17