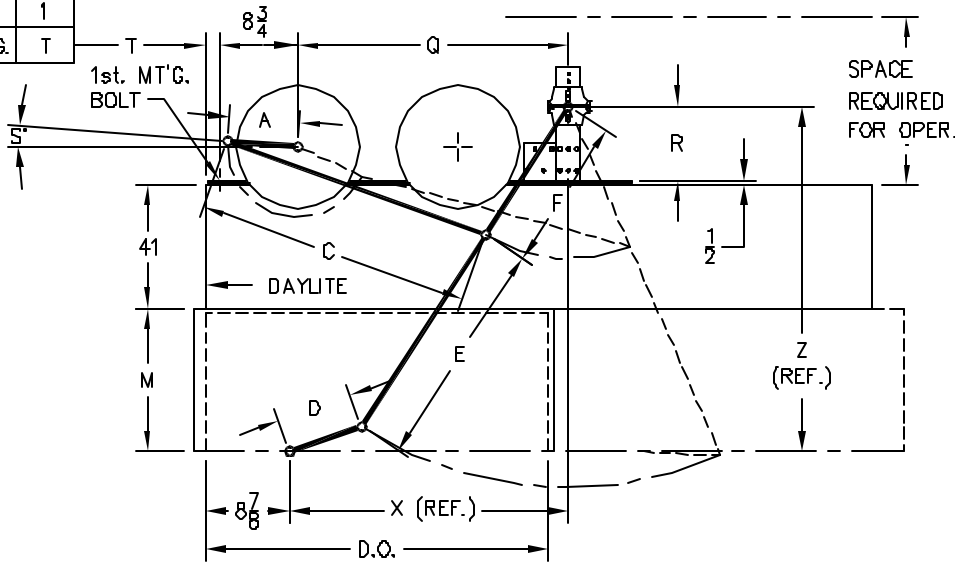


45-48	6
30-44	1
DOOR OPNG.	T



MOVFR	15
MOCT	
MDD	19
MOM-MOH	
MOCT	

48	6 5/8	34 7/8	12	56	21	23	39 5/8	75 3/4	33 1/2	11 1/4	5'
47	6 1/2	34 3/4	12	56	21	23	39 5/8	75 3/4	33 1/2	11 1/4	5'
46	6 3/8	34 5/8	12	56	21	23	39 5/8	75 3/4	33 1/2	11 1/4	5'
45	6 1/4	34 1/2	12	56	21	23	39 5/8	75 3/4	33 1/2	11 1/4	5'
44	6 3/4	37 1/8	10	47	22	19	34 5/8	67 5/8	33 1/2	7 1/8	12'
43	6 5/8	37	10	47	22	19	34 5/8	67 5/8	33 1/2	7 1/8	12'
42	6 1/2	36 7/8	10	47	22	19	34 5/8	67 5/8	33 1/2	7 1/8	12'
41	6 3/8	36 3/4	10	47	22	19	34 5/8	67 5/8	33 1/2	7 1/8	12'
40	6 1/4	36 5/8	10	47	22	19	34 5/8	67 5/8	33 1/2	7 1/8	12'
39	5 1/4	30 3/4	8	47	18	15	29 1/4	64	28 3/8	7 1/2	10'
38	5 1/8	30 3/4	8	47	18	15	29 1/4	64	28 3/8	7 1/2	10'
37	5	30 5/8	8	47	18	15	29 1/4	64	28 3/8	7 1/2	10'
36	5	30 1/2	8	47	18	15	29 1/4	64	28 3/8	7 1/2	10'
35	4 7/8	30 3/8	8	47	18	15	29 1/4	64	28 3/8	7 1/2	10'
34	4 3/4	26 3/4	6	48	19	15	25 1/4	66 1/8	24 3/8	9 5/8	10'
33	4 5/8	26 5/8	6	48	19	15	25 1/4	66 1/8	24 3/8	9 5/8	10'
32	4 1/2	26 1/2	6	48	19	15	25 1/4	66 1/8	24 3/8	9 5/8	10'
31	4 3/8	25 5/8	6	48	19	15	24 3/8	66 3/8	23 1/2	9 7/8	10'
30	4 1/8	25 1/2	6	48	19	15	24 3/8	66 3/8	23 1/2	9 7/8	10'
INCHES	A	C	D	E	F	M	X	Z	Q	R	S
DOOR OPENING	OPERATOR ARMS		DOOR ARMS			CLUTCH	PIVOT		OPERATOR		



SINGLE SPEED & TWO SPEED OPERATOR DATA TABLE
30-48 D.O. FOR HIGH CABS 41" HEADER

FEB. 23 1987

S6898-41